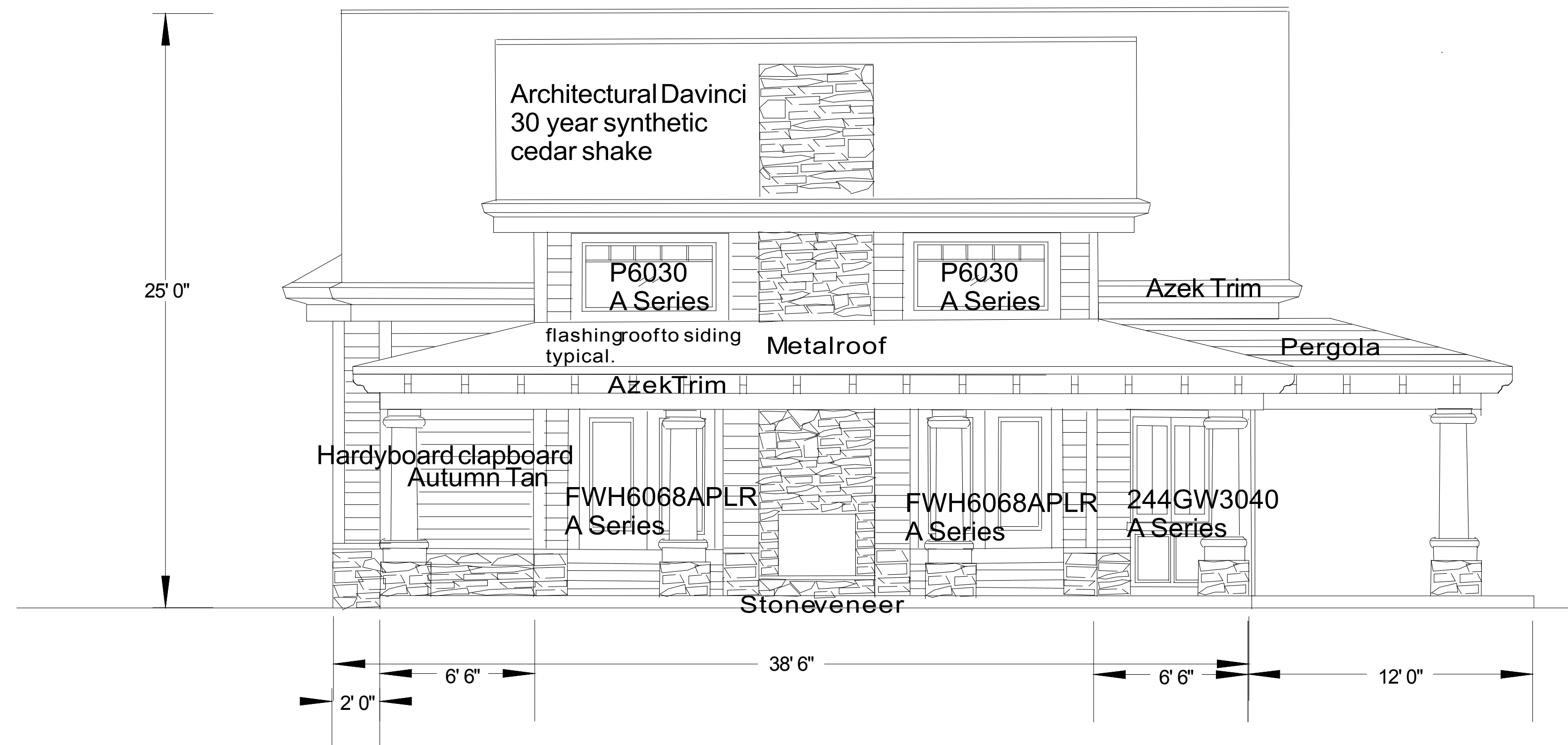


Front Elevation
Scale: 1/4" = 1'-0"



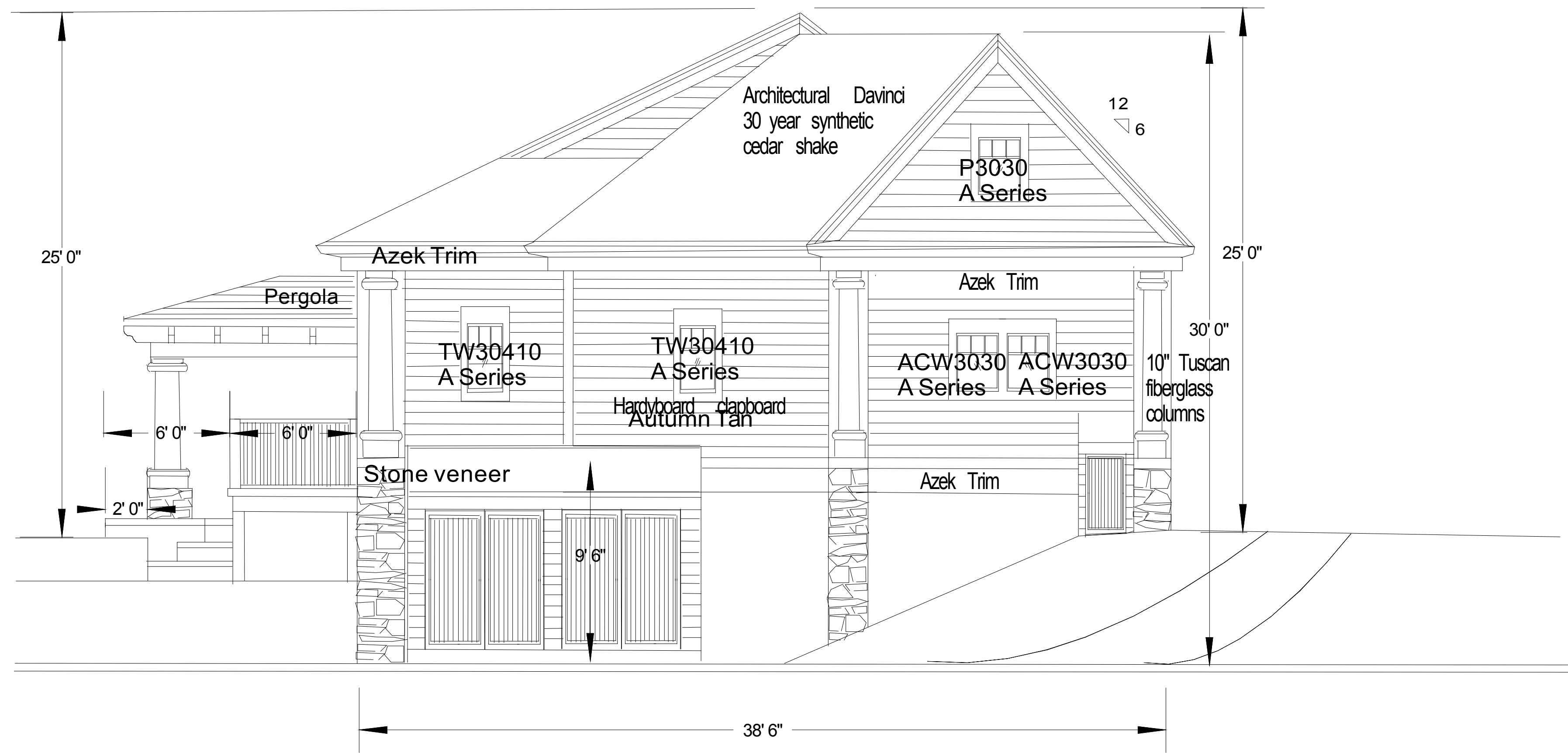
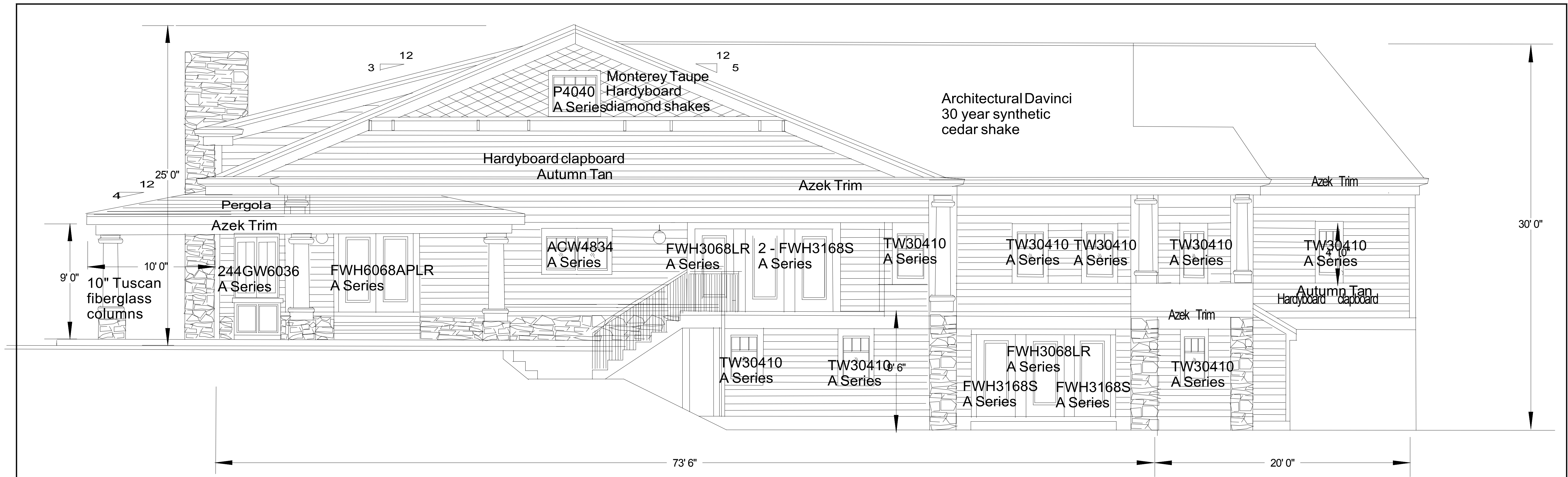
Right Side Elevation

Pam & Yani Katsiris
21 Longfellow Road
Wenham, MA

HH Design Group Architects
1 Ticehurst Lane
Marblehead, MA 01945
781 639 3493
David M. Halliotis, Assoc, AIA

August 8, 2017

A1



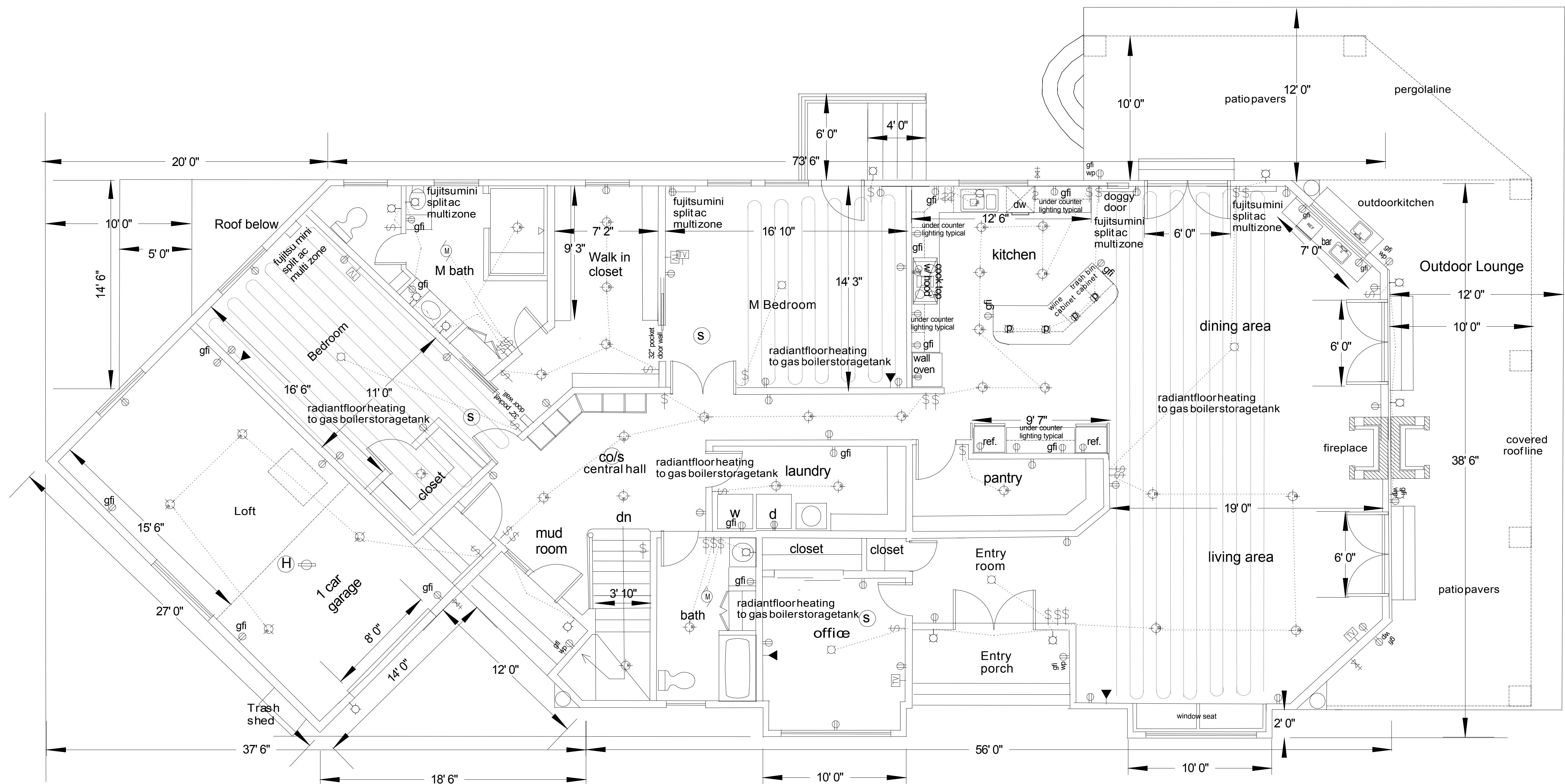
Rear Elevation
Scale: 1/4" = 1'-0"

Left Side Elevation

Pam & Yani Katsiris
21 Longfellow Road
Wenham, MA

HH Design Group Architects
1 Ticehurst Lane
Marblehead, MA 01945
781 639 3493
David M. Halliotis, Assoc. AIA

September 28, 2017



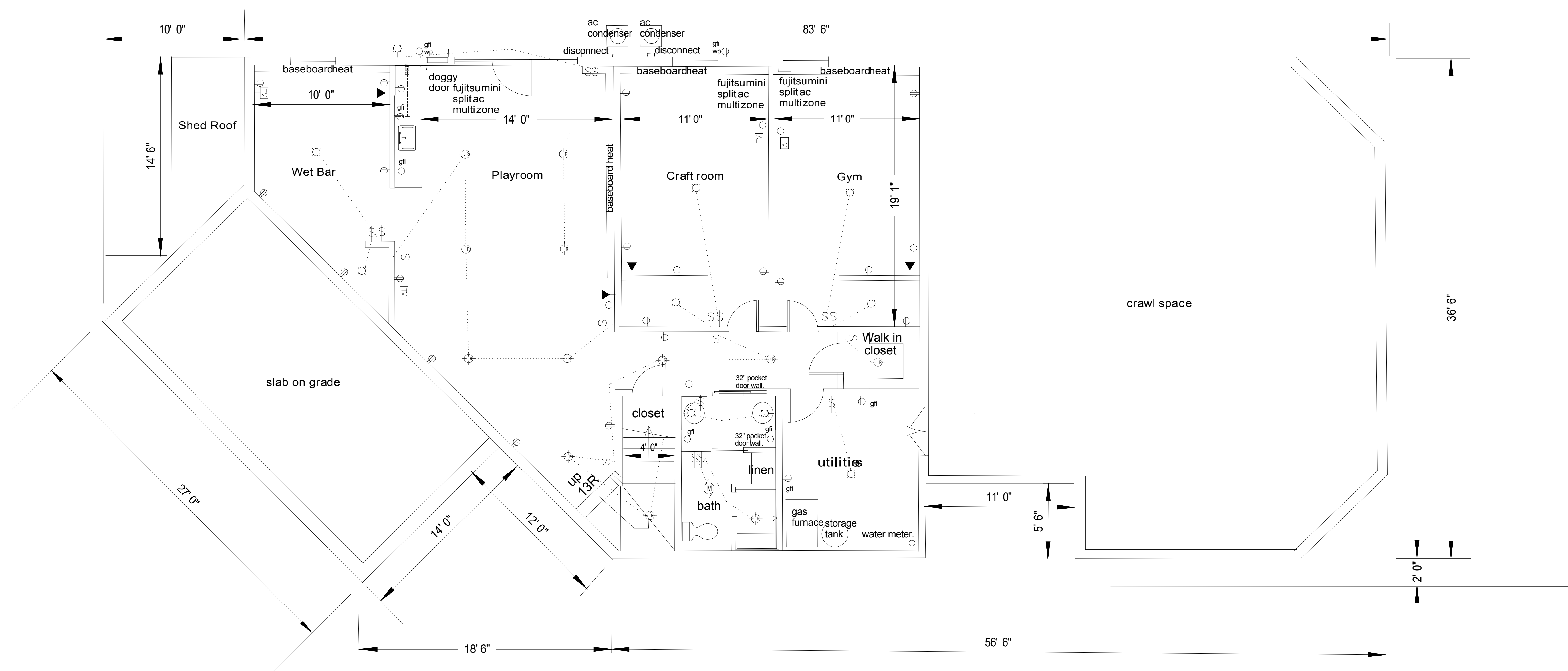
Main Floor Layout Plan
 Scale: 1/4" = 1'-0"

Pam & Yani Katsiris
 21 Longfellow Road
 Wenham, MA

HH Design Group Architects
 1 Ticehurst Lane
 Marblehead, MA 01945
 781 639 3493
 David M. Haliotis, Assoc. AIA

September 28, 2017

locate propane
gas tank to
site plan



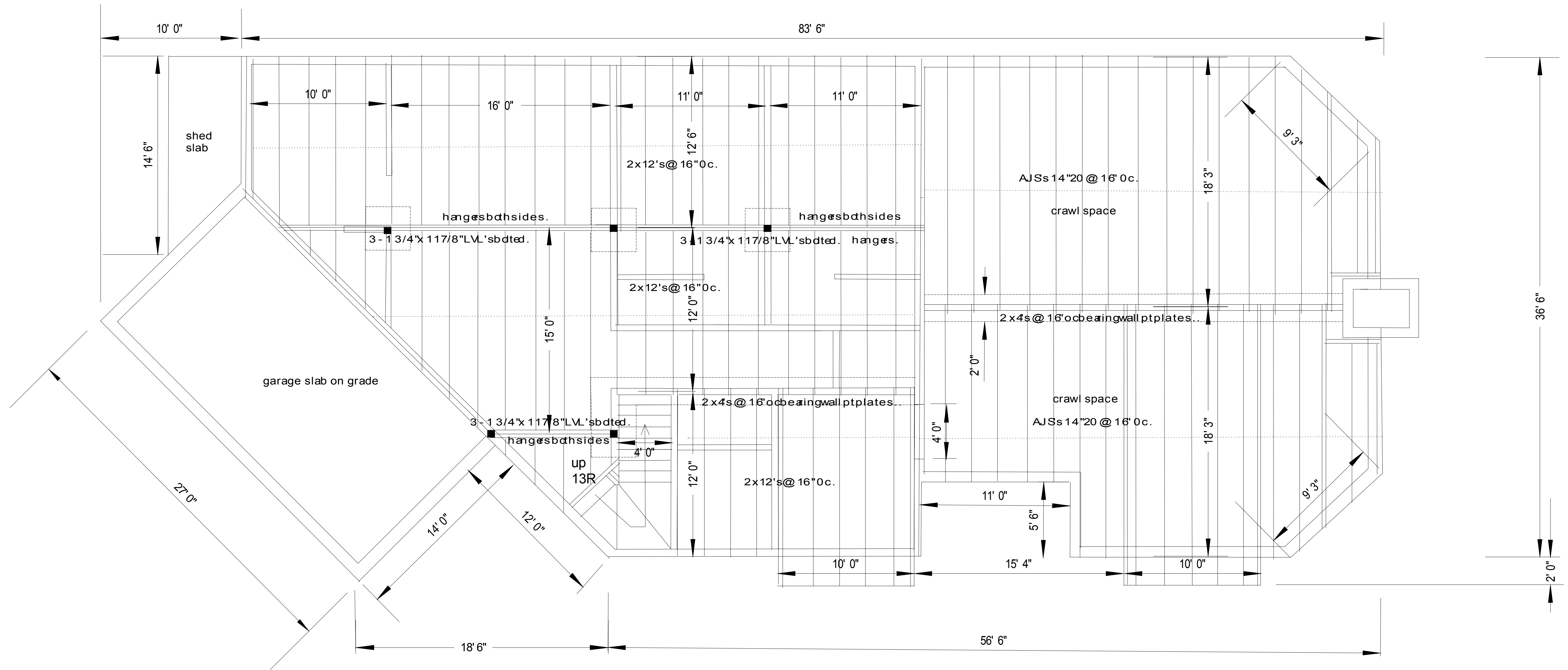
Lower Floor Layout Plan
Scale: 1/4" = 1'-0"

Pam & Yani Katsiris
21 Longfellow Road
Wenham, MA

HH Design Group Architects
1 Ticehurst Lane
Marblehead, MA 01945
781 639 3493
David M. Halliotis, Assoc. AIA

August 8, 2017



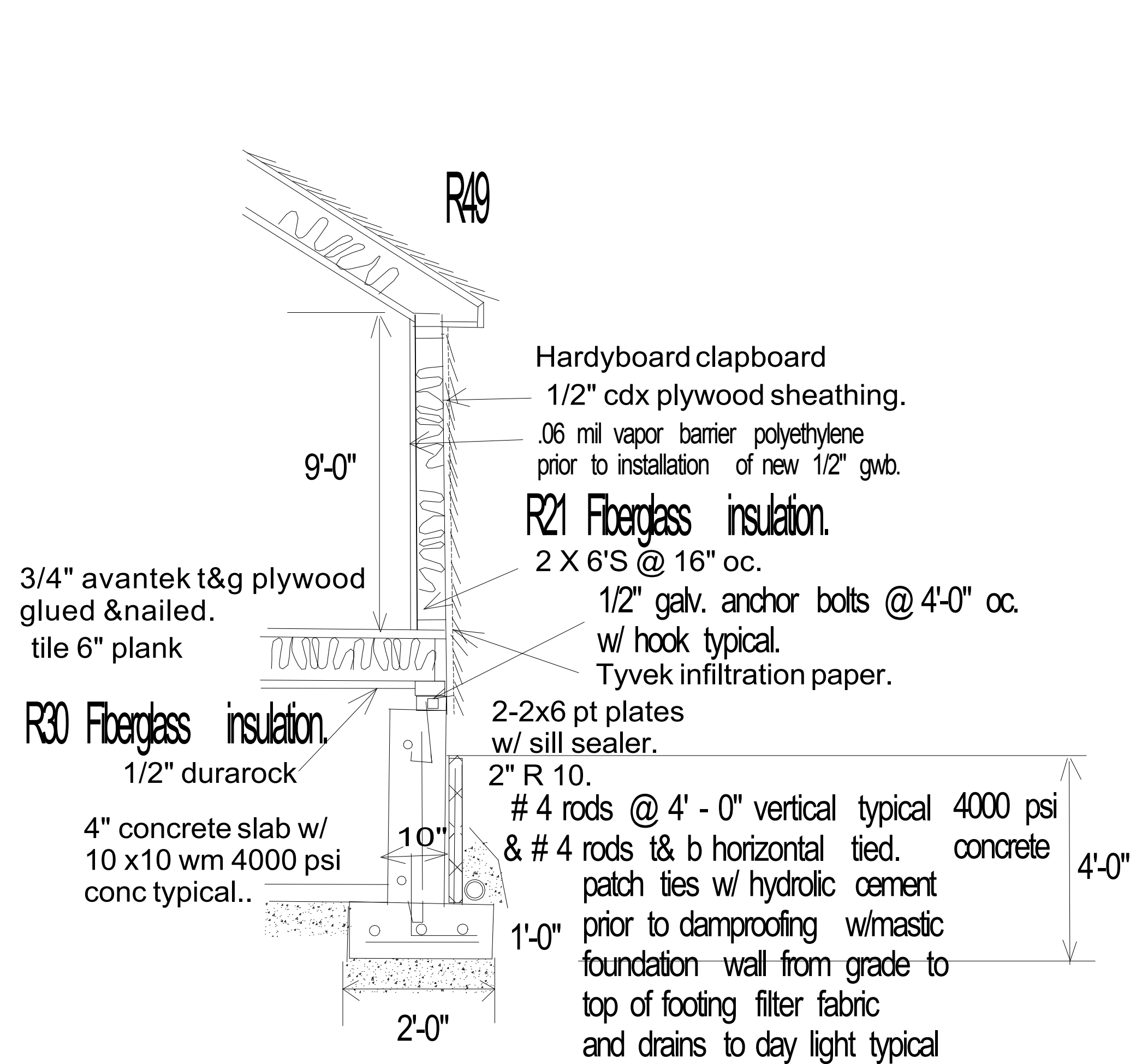


Main Floor Framing Plan
 Scale: 1/4" = 1'-0"

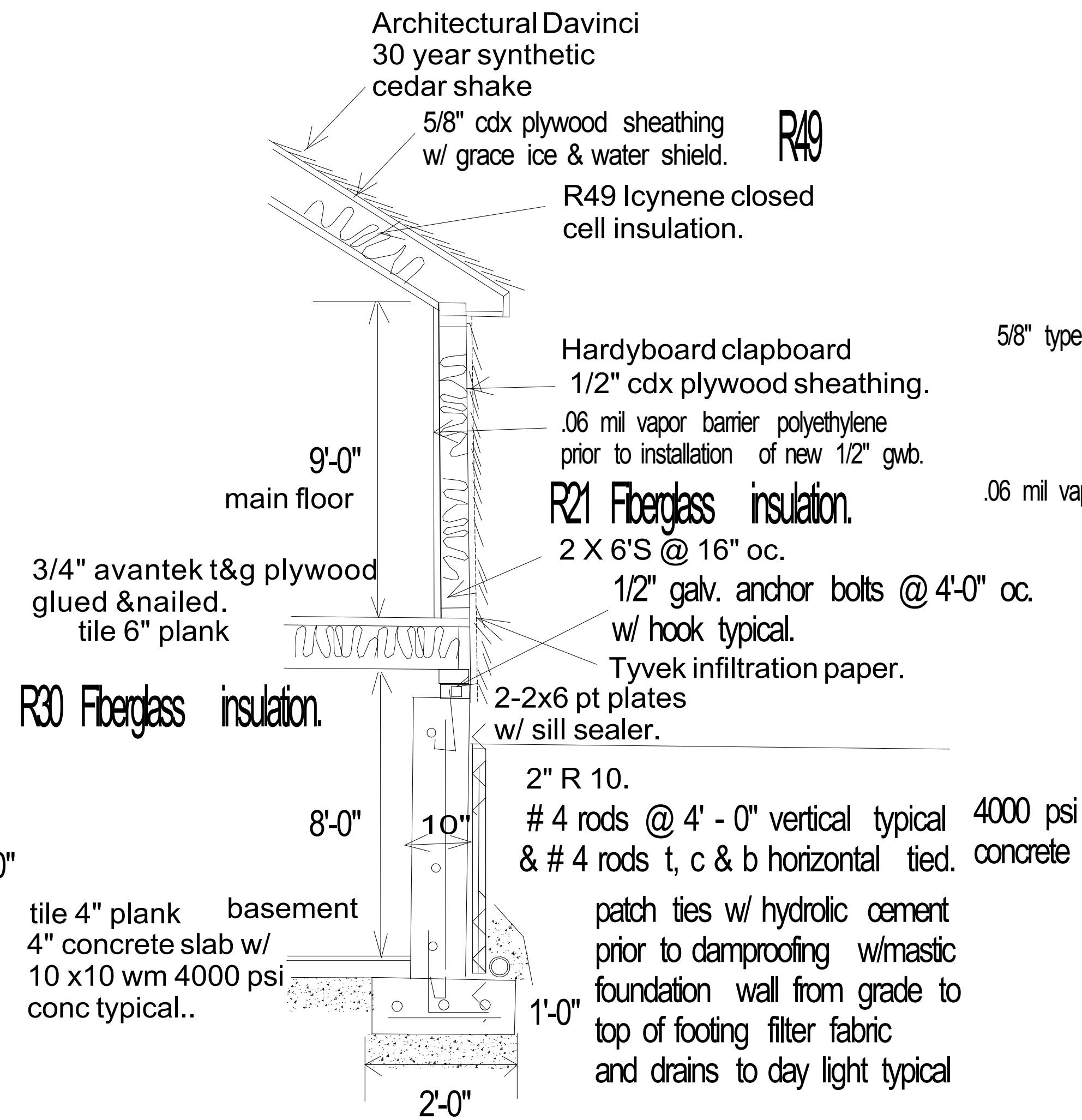
Pam & Yani Katsiris
 21 Longfellow Road
 Wenham, MA

HH Design Group Architects
 1 Ticehurst Lane
 Marblehead, MA 01945
 781 639 3493
 David M. Halliotis, Assoc, AIA

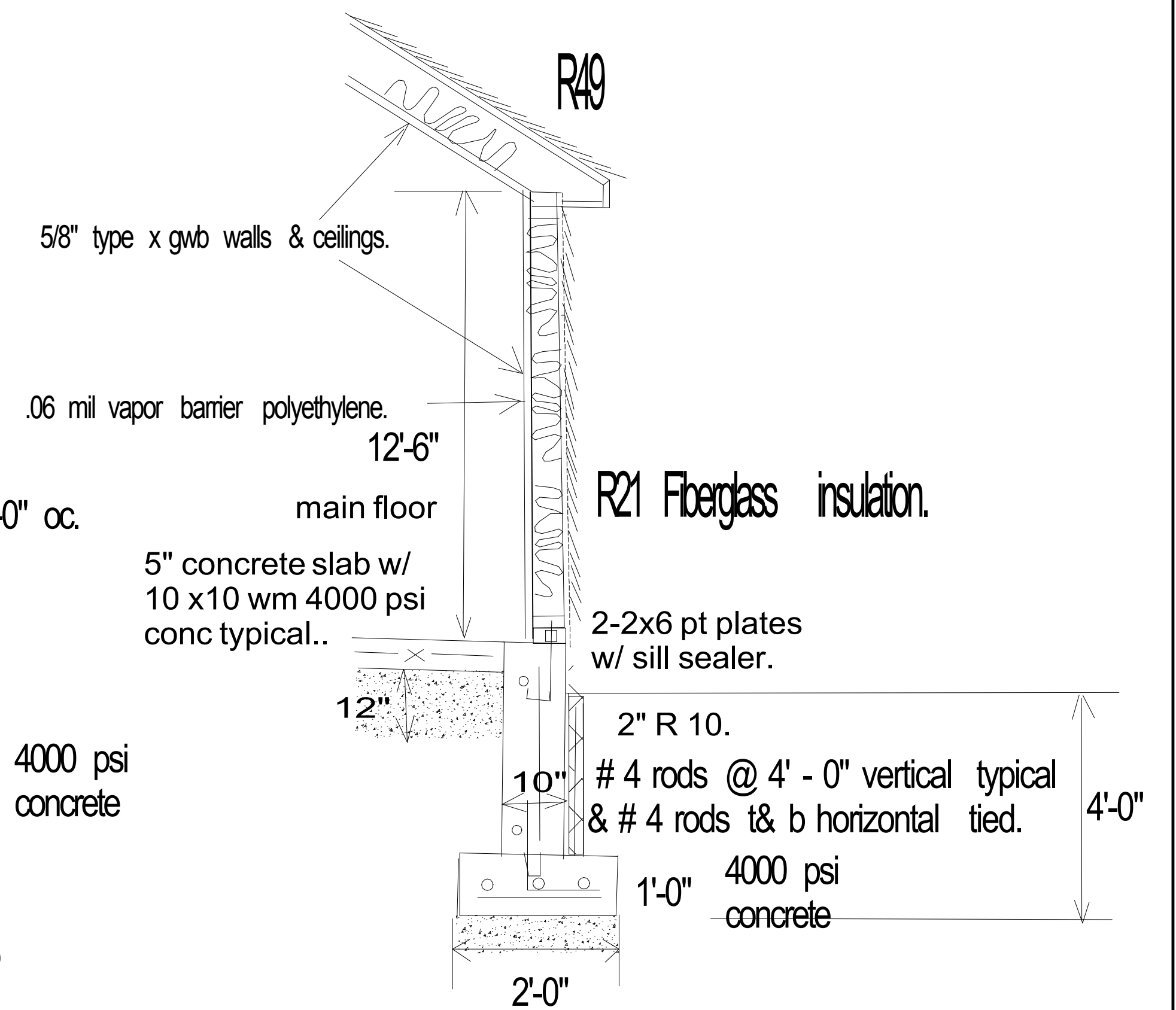
September 28, 2017



Foundation Plan @ crawl space



Foundation Plan @ Basement

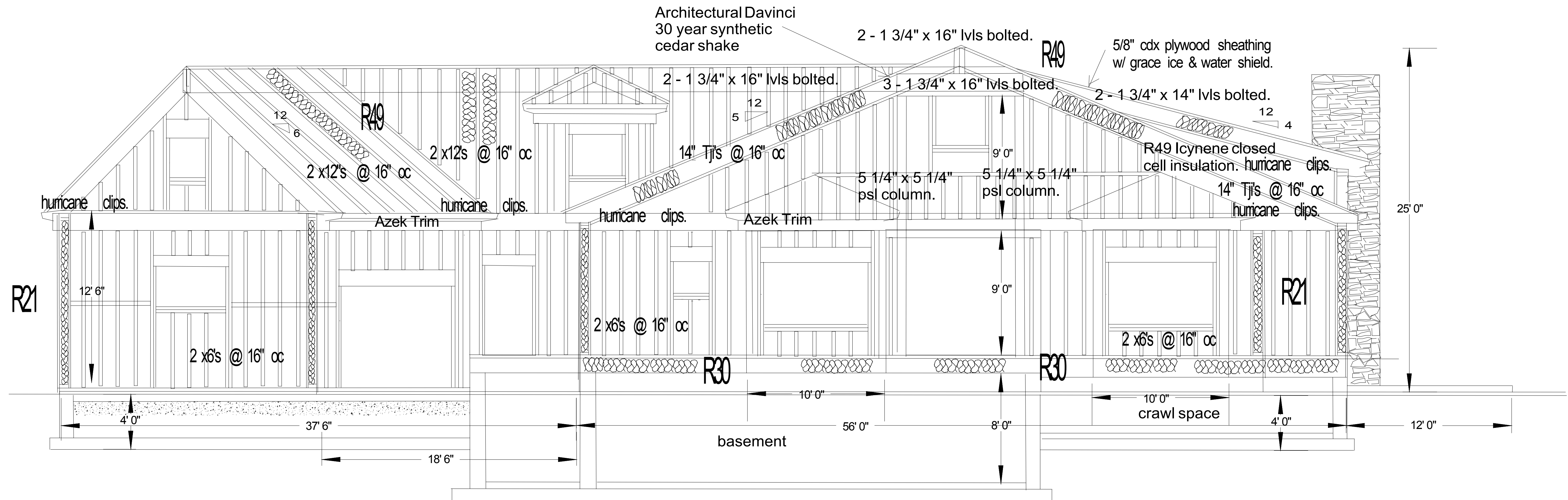


Foundation Plan @ garage

Pam & Yani Katsiris
21 Longfellow Road
Wenham, MA

HH Design Group Architects
1 Ticehurst Lane
Marblehead, MA 01945
781 639 3493
David M. Halliotis, Assoc. AIA

September 28, 2017



Cross Section Plan
 Scale: 1/4" = 1'-0"

Pam & Yani Katsiris
 21 Longfellow Road
 Wenham, MA

HH Design Group Architects
 1 Ticehurst Lane
 Marblehead, MA 01945
 781 639 3493
 David M. Haliotis, Assoc. AIA

September 28, 2017