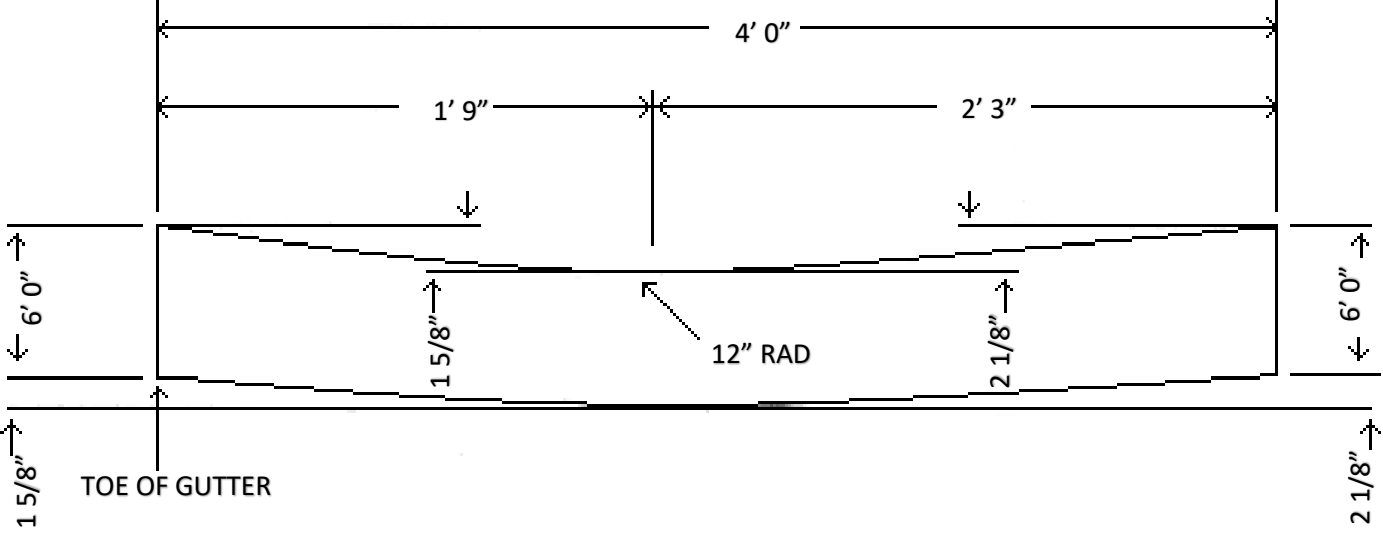
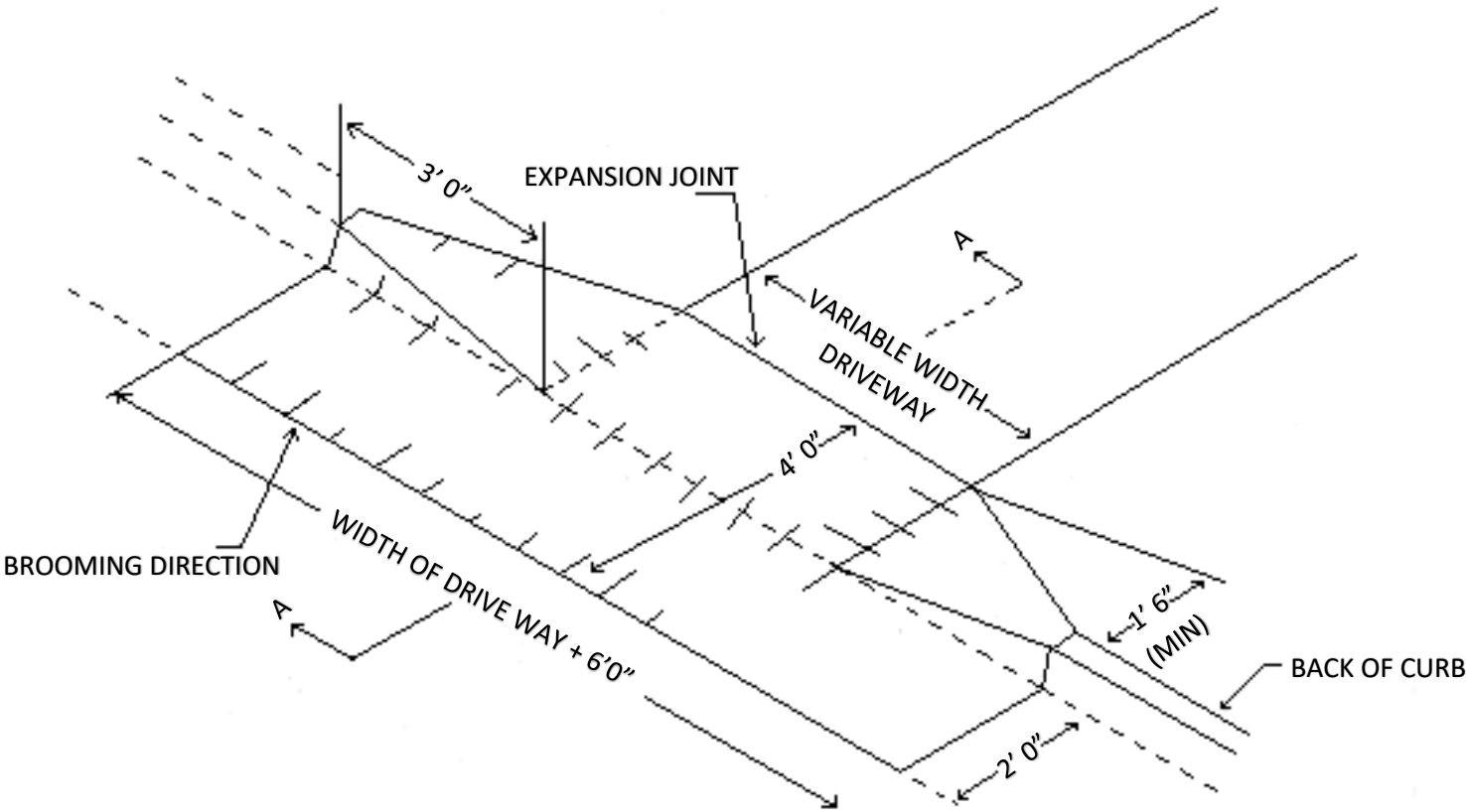
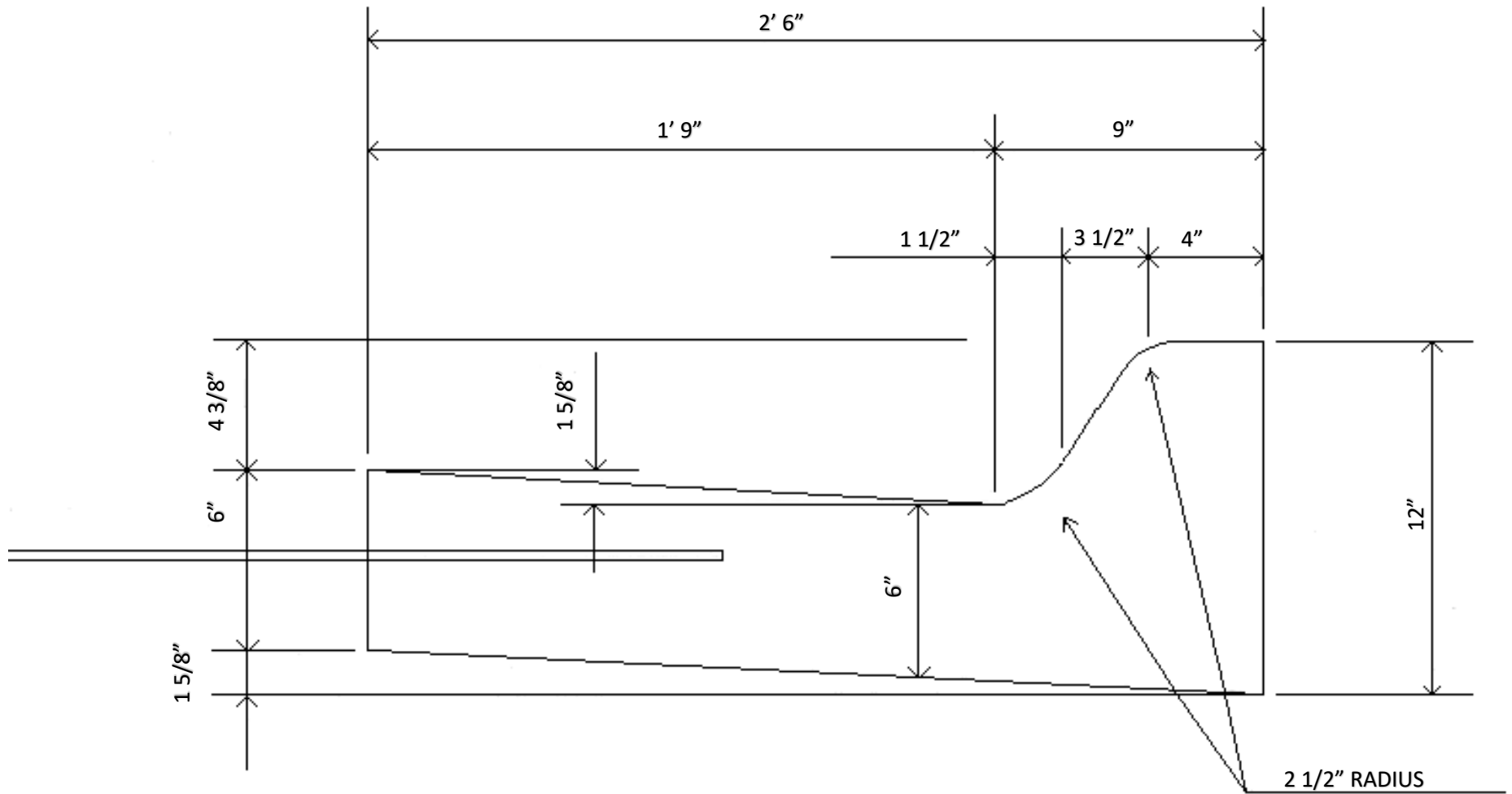


SECTION A-A



TYPICAL STANDARD CURB SECTION
AT DRIVEWAY LOCATIONS





STAND UP CURB AND GUTTER SECTION